



ICE / WATER  
DISPENSER

# ID-0160-AN

## AIR COOLED

### KEY FEATURES:

- 160 lbs daily ice production (70F/50F)
- 5.3 lbs ice storage capacity
- Rugged stainless steel evaporator & auger
- Slim & compact size for space saving
- Magnetic front panel for easy maintenance
- Three modes available (ICE / WATER / ICE & WATER)
- Automatic flush for scale prevention
- UV sterilization for bacteria prevention
- ABS front panel and rust proof side panels
- R-134A refrigerant



### STANDARD WARRANTY:

- ID-0160-AN: 3-Year Parts & Labor
- Compressor: 5- Year Parts & 3-Year Labor



#### UV Sterilization

Detachable inner chute for cleaning and sterilization



1. Counter top and air flow from bottom to top
2. 5 lbs ice storage
3. Magnetic front panel for easy maintenance
4. Serving ice, water, ice and water by three modes

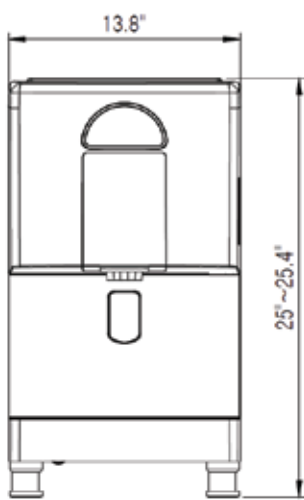
### CERTIFICATIONS



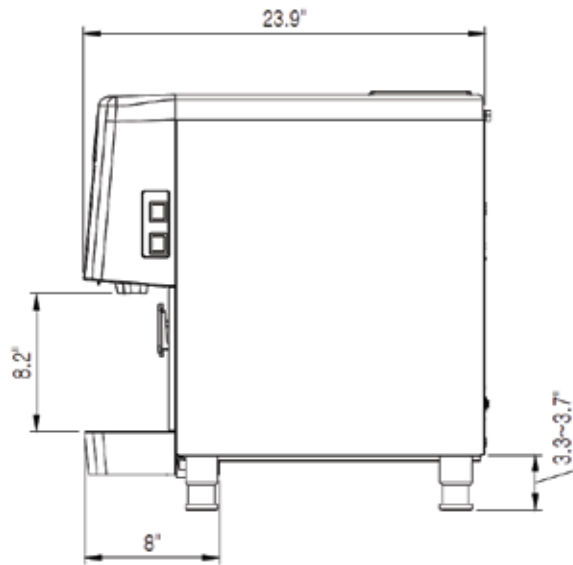
# ID-0160-AN

## ICE / WATER DISPENSER

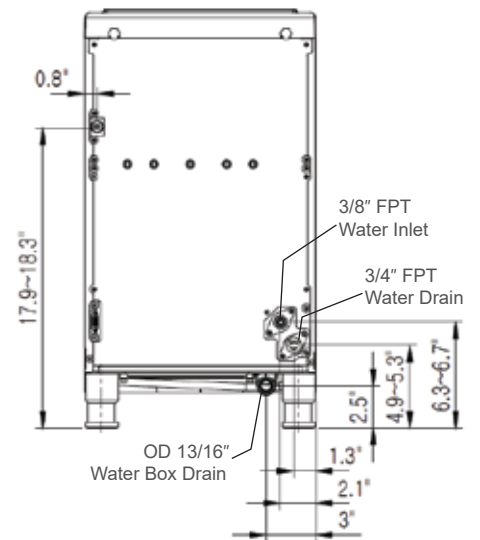
### PLAN VIEW



FRONT VIEW



SIDE VIEW



BACK VIEW

MODEL	DIMENSIONS	WIDTH	DEPTH	HEIGHT	WEIGHT	
ID-0160-AN	Inch	13.8"	23.9"	25"	106 lbs (Net)	112.4 lbs (Gross)

### SPECIFICATIONS

Model	Ice Type	Ice Production 24 hrs		Water usage Gal / 100 lbs ice	Power kWh / 100 lbs ice	Electrical (V/Hz/ph)	Condenser	Minimum Circuit Breaker (A)
		Air/Water 70°F / 50°F	Air/Water 90°F / 70°F					
ID-0160-AN	Nugget	160 lbs	102.6 lbs	13	6.5	115 / 60 / 1	Air Cooled	15

OPERATING LIMITS	MIN	MAX
AMBIENT TEMP RANGE	50 °F	100 °F
WATER TEMP RANGE	50 °F	90 °F
WATER PRESSURE	20 psi (1.38 bar)	80 psi (5.52 bar)

### ICE TYPE:

