



MAESTRO SERIES

MODULAR
ICE MACHINE

IM-0550-AC/AH-22

AIR COOLED

KEY FEATURES:

- 304 stainless-steel exterior (durable & rust-resistant)
- Simple diagnostic panel to assist service & maintenance
- Cleaning switch for auto cleaning cycle
- Magnetic frame cleanable condenser air filters
- Adjustable flush to reduce scale & cleaning cost
- ABS antimicrobial interior to reduce slime & cleaning cost
- Water inlet valve, no float valve
- Water distributor tube & water sump removed w/o tools
- Heavy duty water curtain, pins & hangers for easy removal
- Hinged front door panel for easy access
- No screws on side or back panels for easy access
- Sides & top vent for increased ventilation
- Evaporator section reduced to impede airborne bacteria

STANDARD WARRANTY:

- Ice Maker: 3-Year Parts & Labor
- Evaporator: 5-Year Parts & Labor
- Compressor: 5-Year Parts & 3-Year Labor

CERTIFICATIONS



OPTION: ICE STORAGE BIN

(IB-026-22)

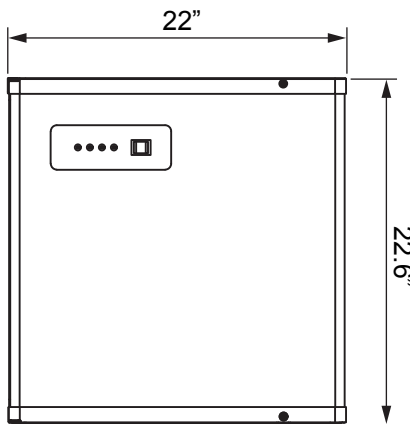
(IB-033/044)



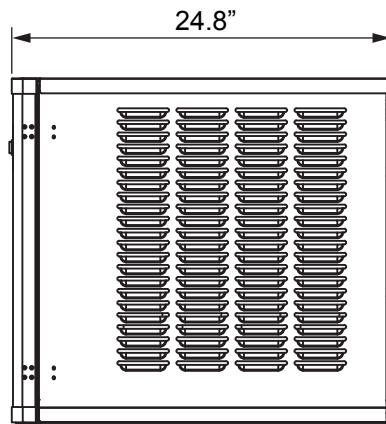
IM-0550-AC/AH-22

MAESTRO SERIES (MODULAR ICE MACHINE)

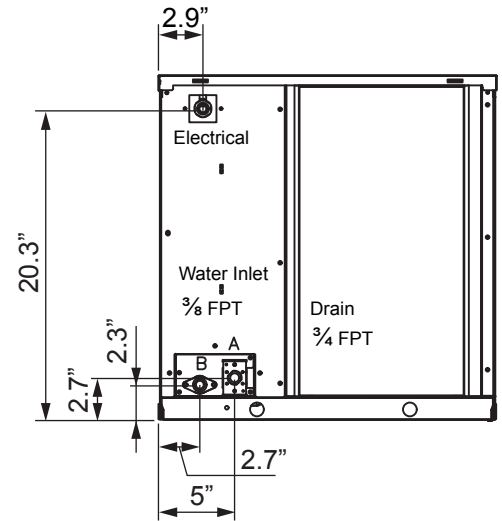
PLAN VIEW



FRONT VIEW



SIDE VIEW



BACK VIEW

MODEL	DIMENSIONS	WIDTH	DEPTH	HEIGHT	WEIGHT	
IM-0550-AC/AH-22	Inch	22"	24.8"	22.6"	143.3 lbs (Net)	167.6 lbs (Gross)

SPECIFICATIONS

Model	Ice Shape	Ice Production per 24 hrs		Water usage Gal / 100 lbs ice	Power kWh / 100 lbs ice	Electrical (V/Hz/ph)	Condenser	Minimum Circuit Breaker (A)
		70 °F Air/ 50 °F Water	90 °F Air/ 70 °F Water					
IM-0550-22	AC: Cube AH: Half Cube	508 lbs	383 lbs	18.0	6.08	115 / 60 / 1	Air Cooled	15

ICE SHAPE: Cube & Half Cube



Cube

$7/8" \times 7/8" \times 7/8"$



Half Cube

$1\frac{1}{8}" \times 3/8" \times 7/8"$

