



MAESTRO SERIES

MODULAR
ICE MACHINE

IM-0460-22

KEY FEATURES:

- 304 Stainless Steel Exterior (durable & rust-resistant)
- Simple diagnostic panel to assist service & maintenance
- Cleaning switch for auto cleaning cycle
- Magnetic frame cleanable condenser air filters
- Adjustable flush to reduce scale & cleaning cost
- ABS antimicrobial interior to reduce slime & cleaning cost
- Water inlet valve no float valve
- Distributor water tube & water sump removed w/o tools
- Heavy duty water curtain, pins & hangers for easy removal
- Hinged front door panel for easy access
- No screws on side or back panels for easy access
- Side & top vent for increased ventilation
- Evaporator section reduced to impede air borne bacteria

STANDARD WARRANTY:

- Ice Maker: 3-Year Parts & Labor
- Evaporator: 5-Year Parts & 5-Year Labor
- Compressor: 5-Year Parts & 3-Year Labor

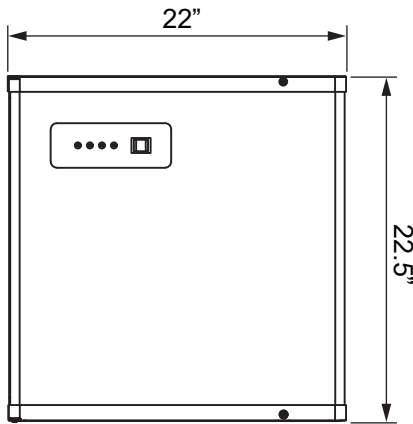
CERTIFICATIONS



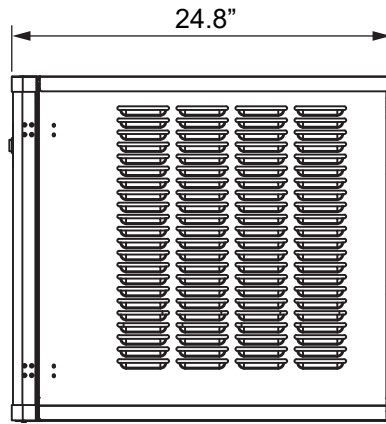
OPTION: ICE STORAGE BIN (IB-026-22)



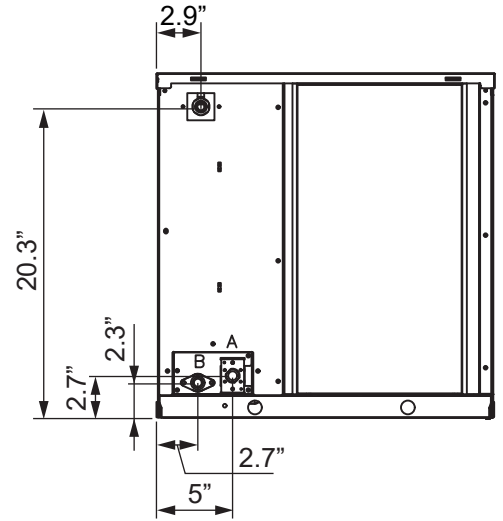
SCHEMATIC DRAWING



FRONT VIEW



SIDE VIEW



BACK VIEW

| MODEL | DIMENSIONS | WIDTH | DEPTH | HEIGHT | WEIGHT | |
|------------|------------|-------|-------|--------|-----------------|-------------------|
| IM-0460-22 | Inch | 22" | 24.8" | 22.6" | 143.3 lbs (Net) | 167.6 lbs (Gross) |

SPECIFICATIONS

| Model | Ice Shape | Ice Production per 24 hrs | | Gal / 100 lbs ice | kWh / 100 lbs ice | Electrical (V/Hz/ph) | Condenser |
|-------------------|------------------|---------------------------|-------------------------|-------------------|-------------------|----------------------|------------|
| | | 70 °F Air / 50 °F Water | 90 °F Air / 70 °F Water | | | | |
| IM-0460-22 | Cube & Half Cube | 443 lbs | 327 lbs | 18.0 | 6.21 | 115 / 60 / 1 | Air Cooled |

ICE SHAPE: Cube & Half Cube



Cube

0.87" x 0.87" x 0.87"



Half Cube

0.4" x 1.4" x 0.87"

