



ICE / WATER
DISPENSER

ID-0300-AN

AIR COOLED

KEY FEATURES:

- 282 lbs daily nugget ice production (70F/50F)
- 11 lbs ice storage capacity
- Rugged stainless steel evaporator & auger
- Compact size for space saving
- Swing front door for easy maintenance
- Three modes available (ICE / WATER / ICE & WATER)
- Automatic flush for scale prevention
- UV sterilization for bacteria prevention
- 304 durable Stainless steel
- R-404A Refrigerant

STANDARD WARRANTY:

- ID-0300-AN: 3-Year Parts & Labor
- Compressor: 5- Year Parts & 3-Year Labor



UV Sterilization

Detachable inner chute for cleaning and sterilization



1. Counter top and air flow from bottom to top
2. 11 lbs ice storage
3. Swing door for easy maintenance
4. Serving ice, water, ice and water by three modes

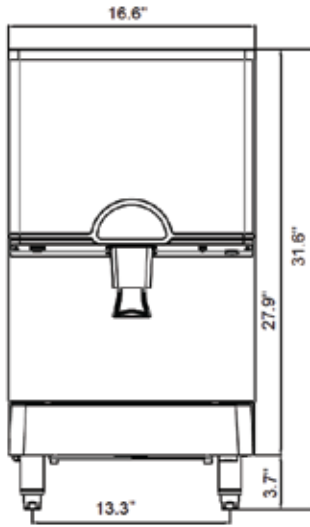
CERTIFICATIONS



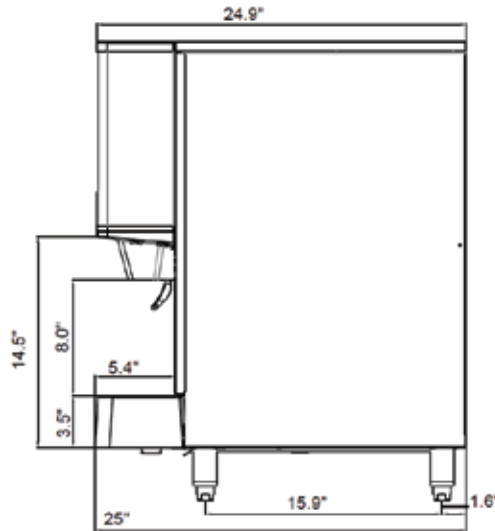
ID-0300-AN

ICE / WATER DISPENSER

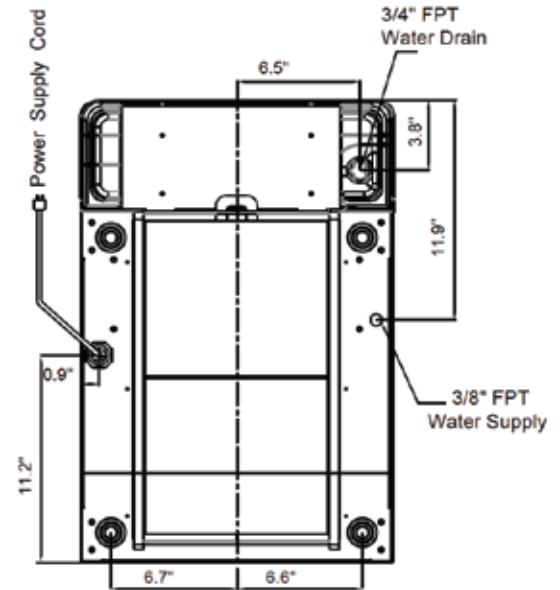
PLAN VIEW



FRONT VIEW



SIDE VIEW



BOTTOM VIEW

MODEL	DIMENSIONS	WIDTH	DEPTH	HEIGHT	WEIGHT	
ID-0300-AN	Inch	16.6"	25"	27.9"	150 lbs (Net)	178 lbs (Gross)

SPECIFICATIONS

Model	Ice Type	Ice Production 24 hrs		Water usage Gal / 100 lbs ice	Power kWh / 100 lbs ice	Electrical (V/Hz/ph)	Condenser	Minimum Circuit Breaker (A)
		Air/Water 70°F / 50°F	Air/Water 90°F / 70°F					
ID-0300-AN	Nugget	282 lbs	206 lbs	13	6.5	115 / 60 / 1	Air Cooled	15

OPERATING LIMITS	MIN	MAX
AMBIENT TEMP RANGE	50 °F	100 °F
WATER TEMP RANGE	50 °F	90 °F
WATER PRESSURE	20 psi (1.38 bar)	80 psi (5.52 bar)

ICE TYPE:

